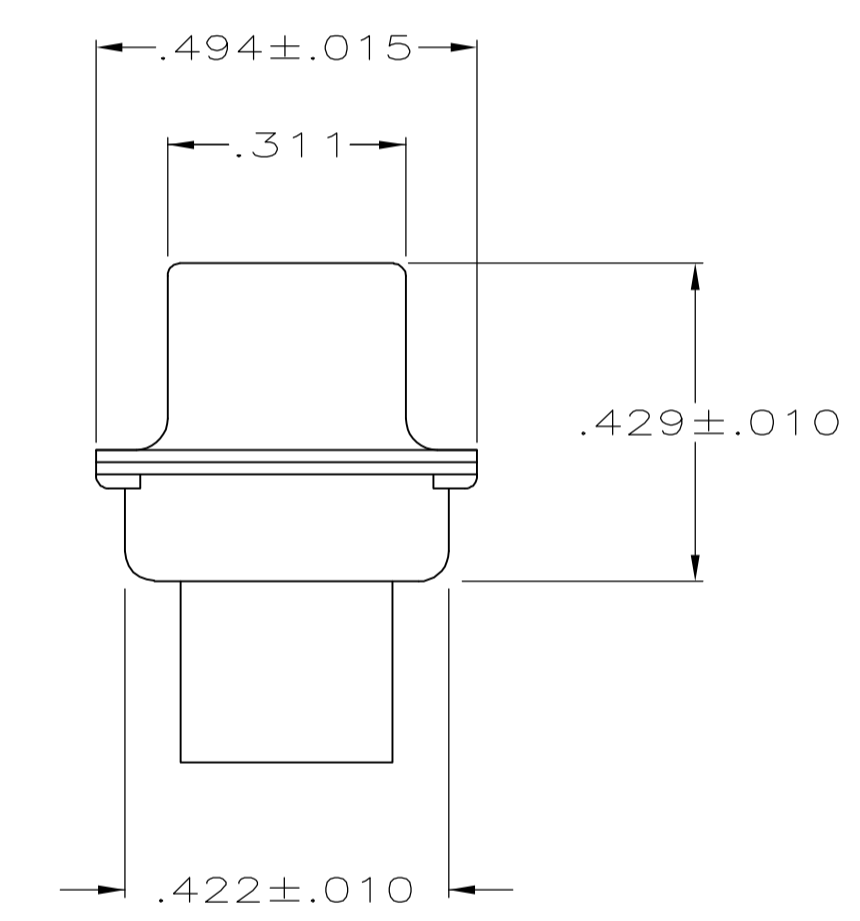
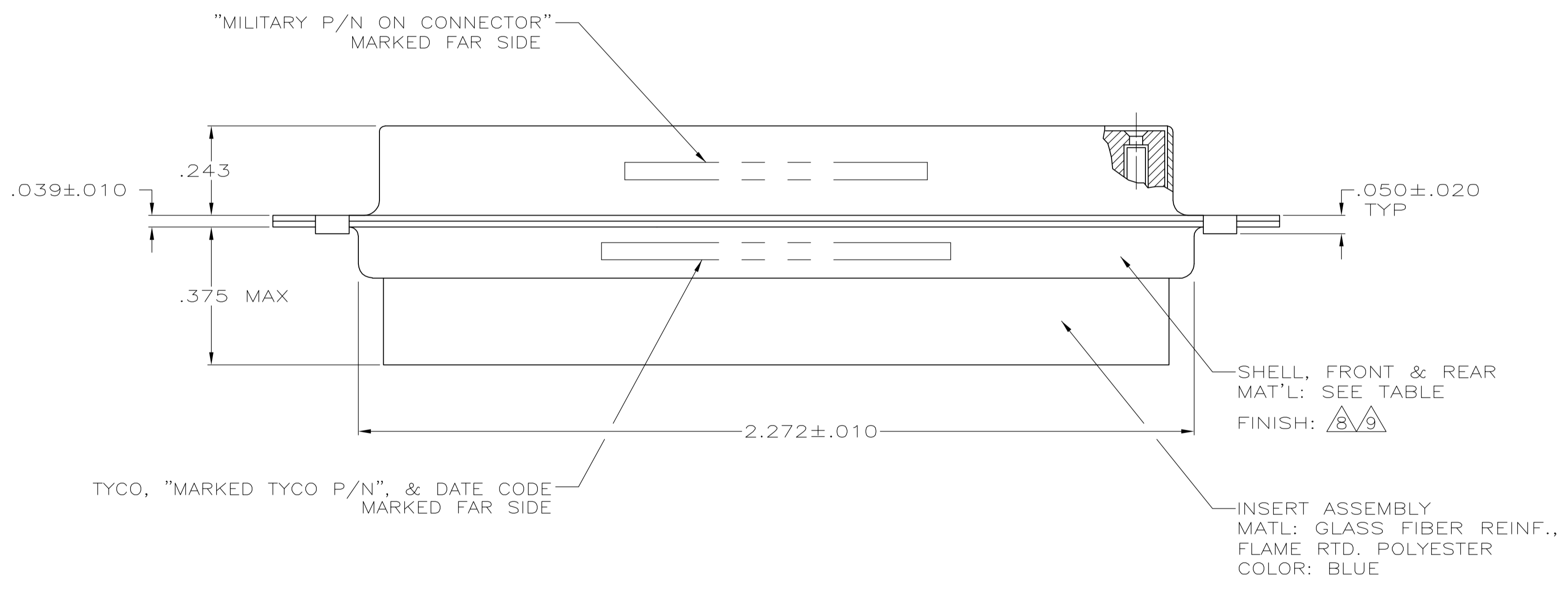
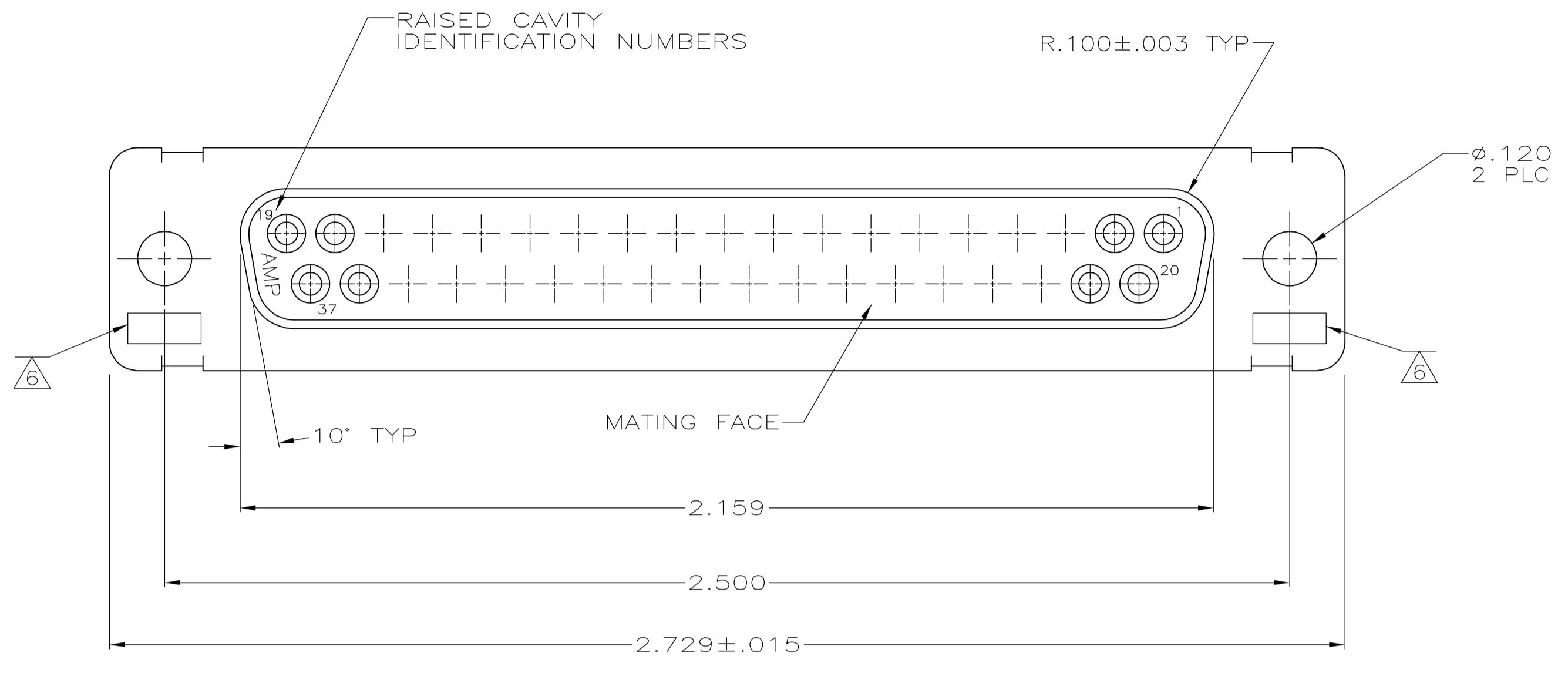


LOC	DIST	REVISIONS			
DF	DO	REV	DESCRIPTION	DATE	BY
		P	REV PER ECO-05-002792	05-05	AA DM

- THIS RCPT. IS DESIGNED TO CONFORM TO THE LATEST ISSUE OF MIL-C-24308.
 - MAX WIRE INSUL TO BE USED WITH THIS RCPT IS .068 DIA.
 - STAINLESS STEEL RETENTION CLIPS ARE INCLUDED IN INSERTS.
 - THIS RCPT. WILL ACCEPT SIZE 20 SOCKET CONTACT M39029/63-368 OR ANY TYCO HD-20 SOCKET CONTACT. CONTACTS ORDERED SEPARATELY.
- 5 TYCO PART NO. MARKED ON CONNECTOR REPRESENTS KIT NUMBER WITH CONTACTS.
 6 UL/CSA DESIGNATION STAMPED IN THIS AREA, OPTIONAL.
 7 RESTRICTED ITAR DRAWING.
 8 FINISH: CADMIUM PER QQ-P-416.
 9 FINISH: BRIGHT TIN PER ASTM-B-545 .000400-.000550 THK OVER COPPER PER AMS2418 .000050 MIN THK.



-	-	9	STEEL PER ASTM-A-109	-	205167-5	205167-5
-	7	-	-	-	-	205167-4
SUPSD BY 205291-1	-	8	STEEL PER ASTM-A-109	-	205167-3	205167-3
SUPSD BY 206803-2	-	-	BRASS	M24308/6-4F	205561-4	205167-2
M24308/2-284F	5	8	STEEL PER ASTM-A-109	M24308/2-4F	205561-2	205167-1
MILITARY P/N ON PACKAGE	REMARKS	SHELL FINISH	SHELL MAT'L	MARKED MILITARY PART NO.	MARKED TYCO PART NO.	PART NO.

THIS DRAWING IS A CONTROLLED DOCUMENT.

DIMENSIONS: INCHES	TOLERANCES UNLESS OTHERWISE SPECIFIED:	DIN C.C.THOMAS 31-JAN-03	tyco Electronics Tyco Electronics Corporation Harrisburg, Pa 17105-3608
0 PLC ± -	1 PLC ± -	CHK LARRY OH 31-JAN-03	NAME RECEPTACLE ASSY AMPLIMITE, SIZE 4 SERIES 109, HD-20
2 PLC ± -	3 PLC ± .005	APVD LARRY OH 31-JAN-03	PRODUCT SPEC
4 PLC ± -	ANGLES ± 0.30'	APPLICATION SPEC	RESTRICTED TO
MATERIAL SEE CALLOUTS	FINISH SEE CALLOUTS	WEIGHT	SCALE 4:1 SHEET 1 OF 1 REV P

SIZE: A1
 CAGE CODE: 00779
 DRAWING NO: 205167
 CUSTOMER DRAWING